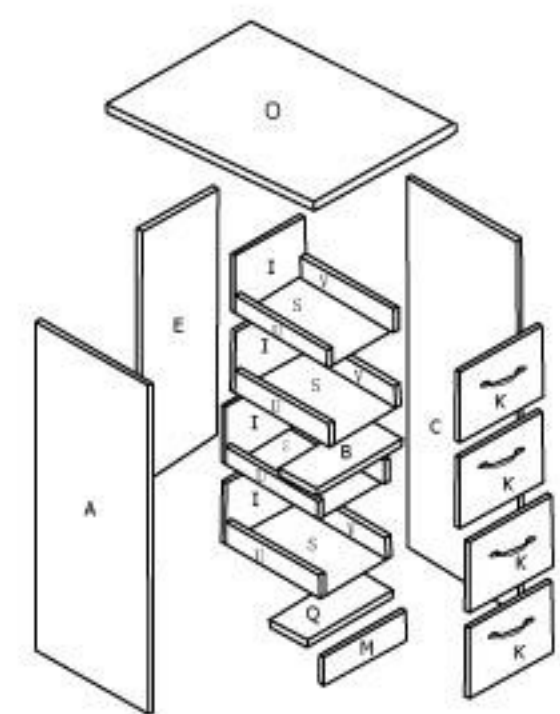




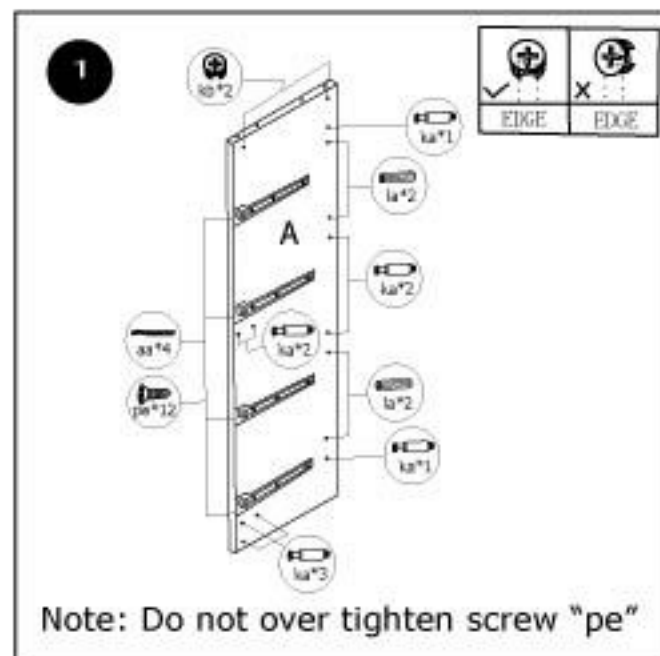
# 4 Drawer Filing Cabinet D11225



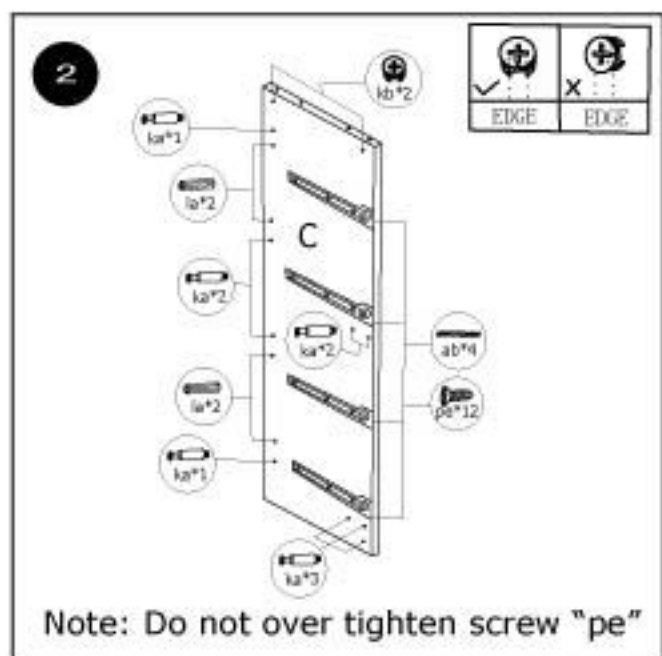
Teknik office Ltd  
Tel:01234 328804 Fax:01234 342446  
Email:customerservice@technikoffice.co.uk  
Web Address:www.technikoffice.co.uk

- |  |  |  |
|--|--|--|
|  |  |  |
|  |  |  |
|  |  |  |
|  |  |  |
|  |  |  |

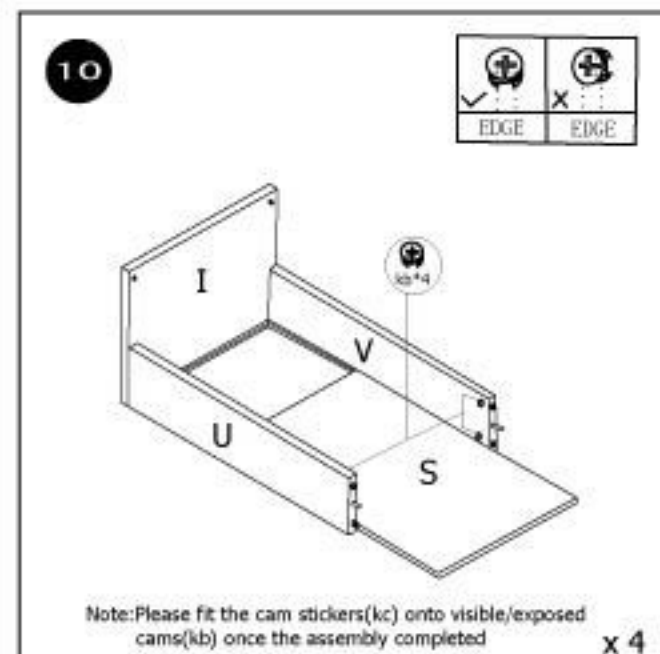
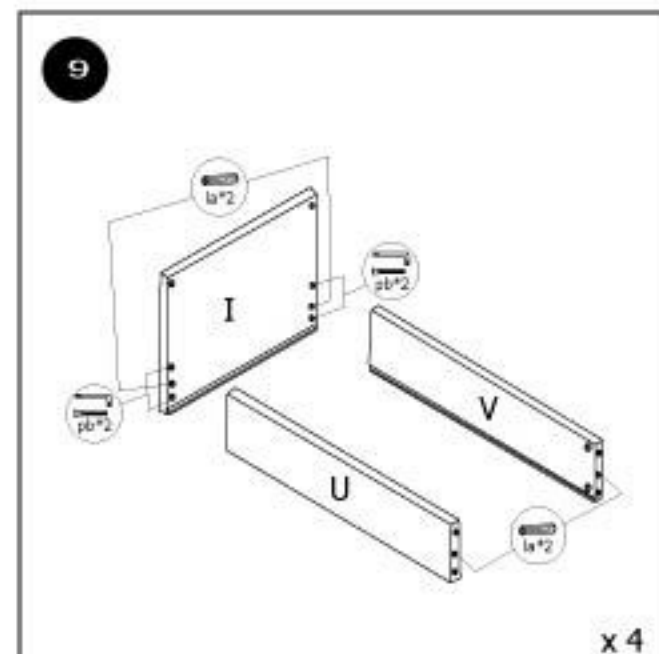
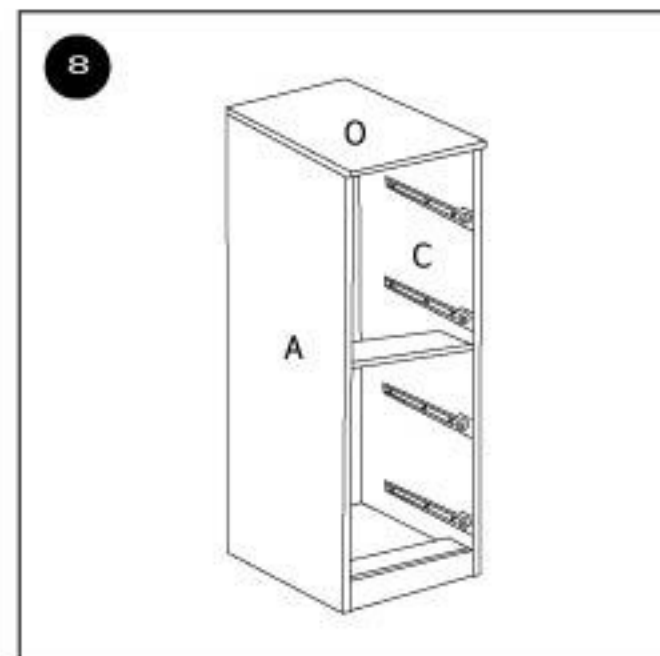
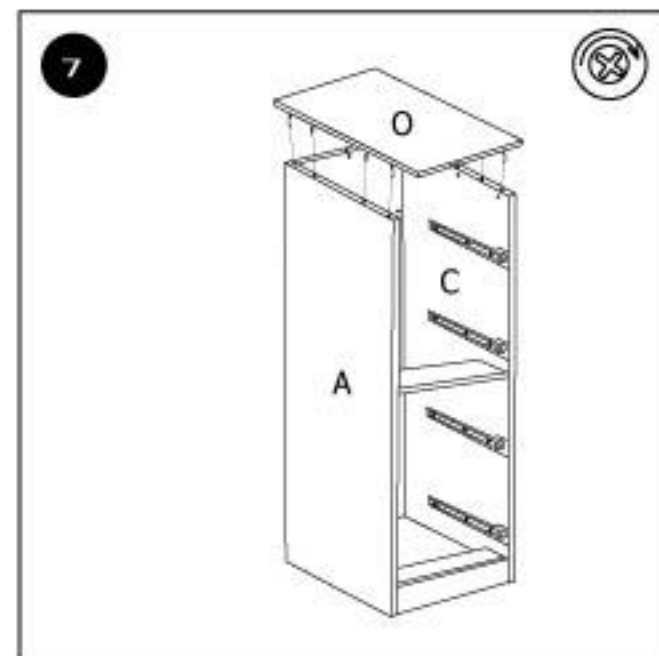
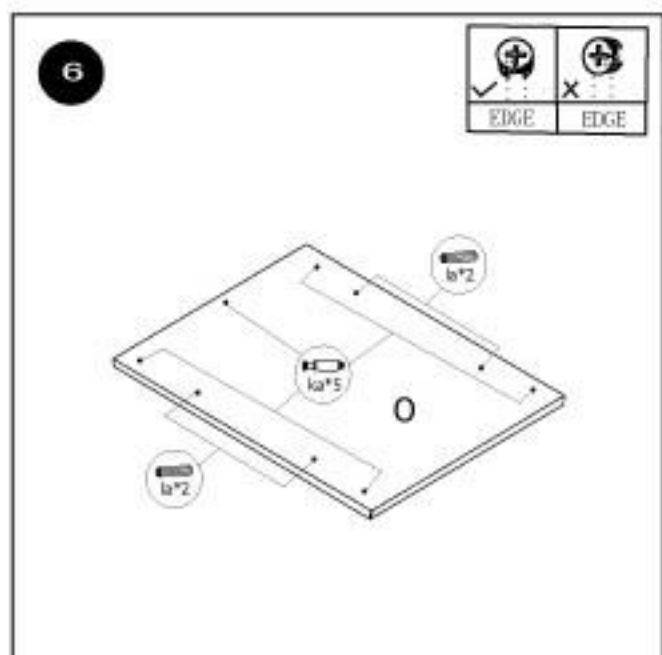
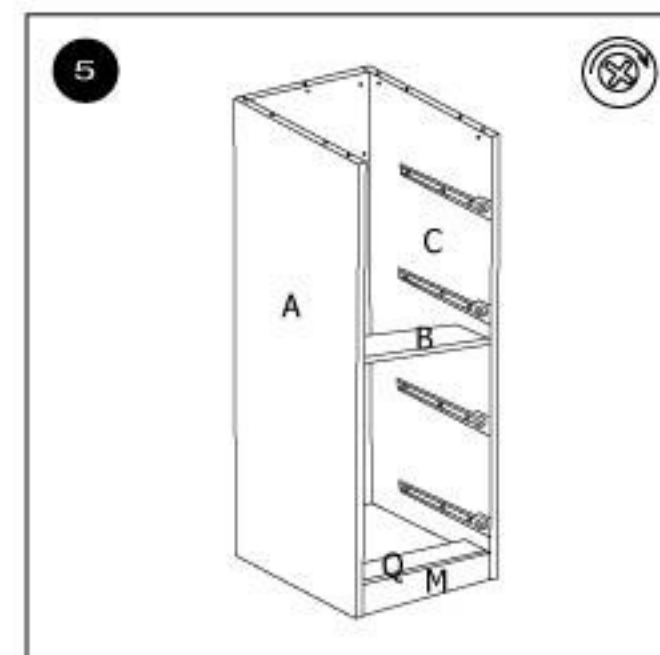
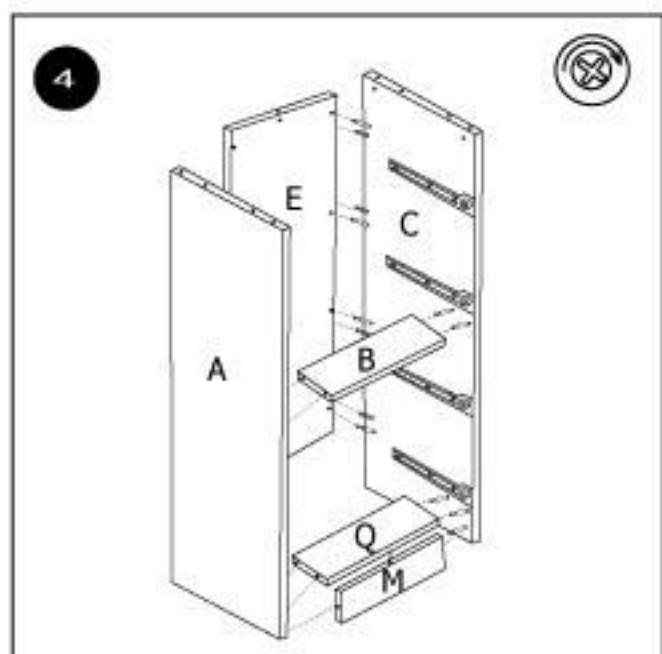
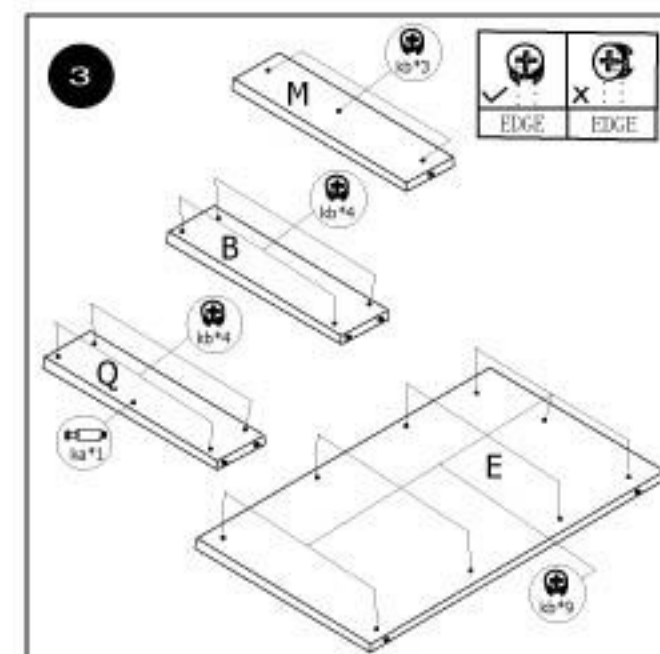
**Note:**  
Start the assembly by familiarising yourself with each component against this instruction sheet. To avoid scratching the drawer filing cabinet set it up on a soft surface.



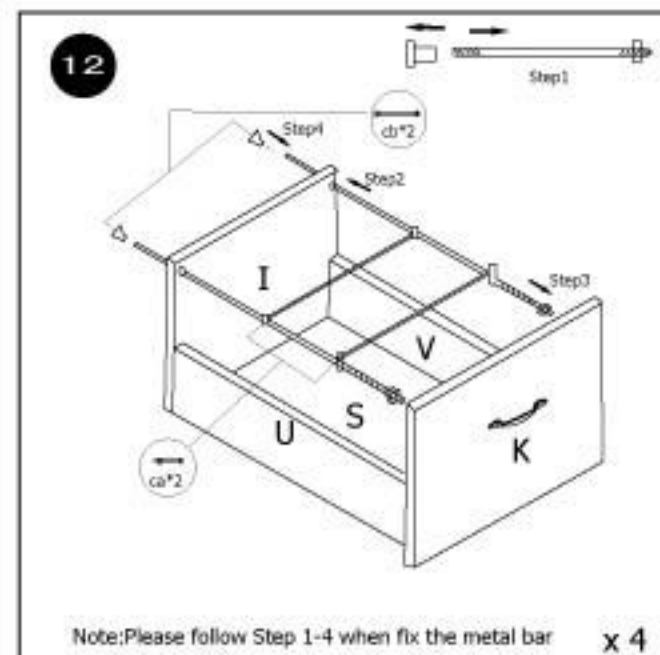
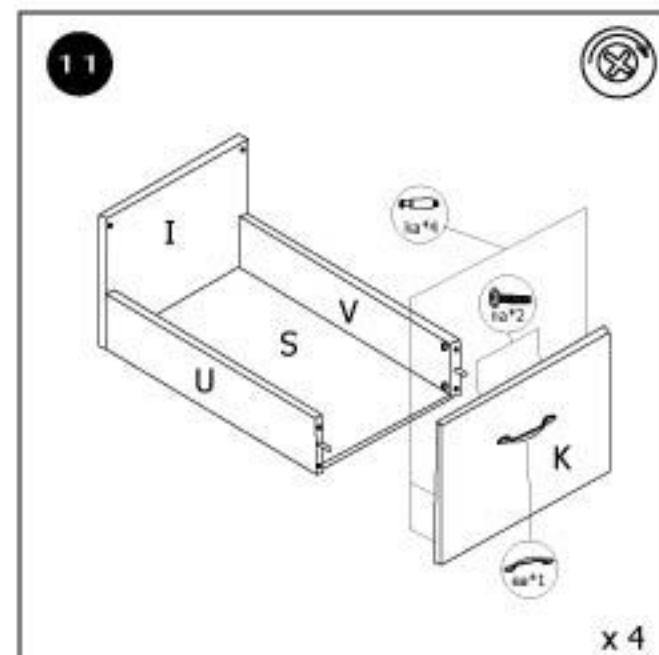
Note: Do not over tighten screw "pe"



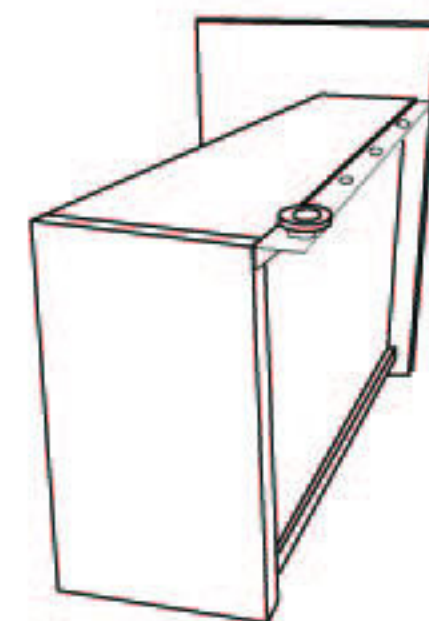
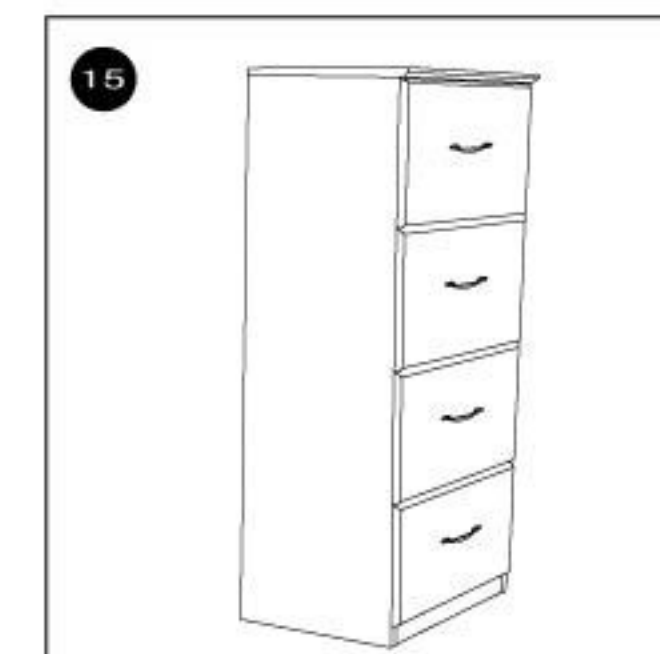
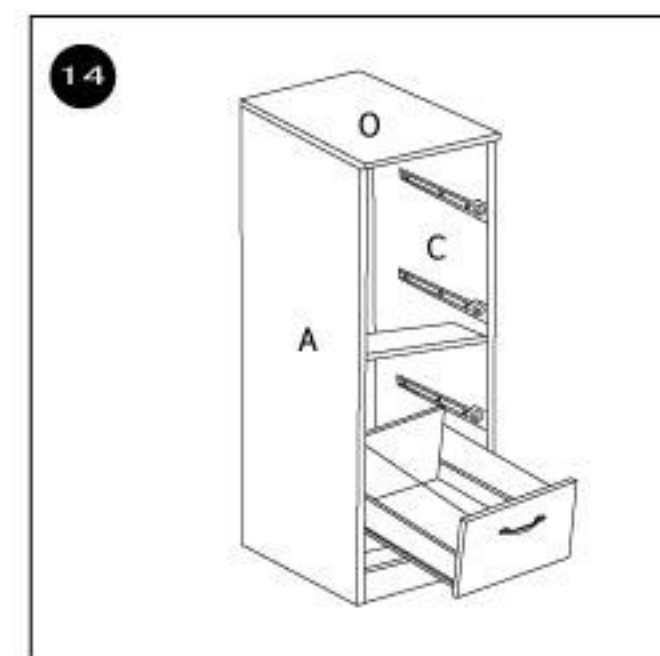
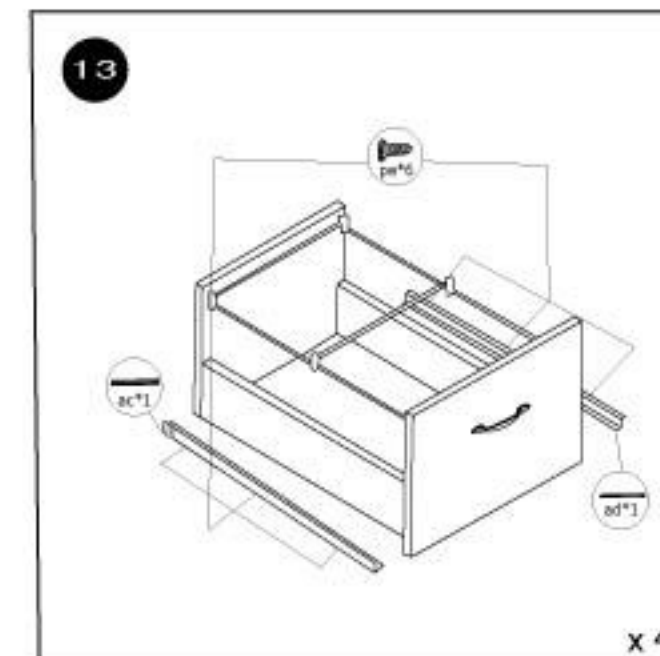
Note: Do not over tighten screw "pe"



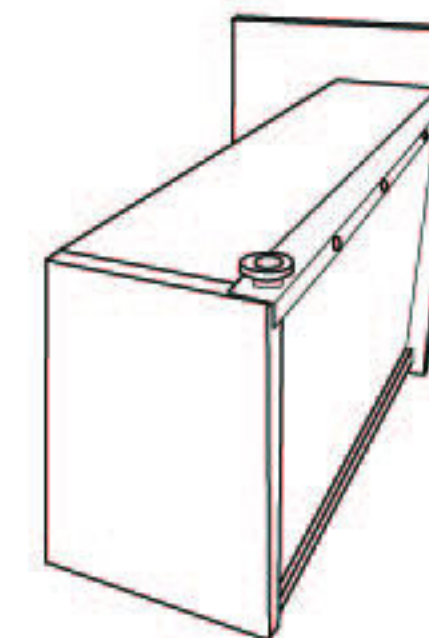
Note: Please fit the cam stickers (c) onto visible/exposed cams (kb) once the assembly completed



Note: Please follow Step 1-4 when fix the metal bar



incorrect assembly



correct assembly